

CMSA

Full Color HD Camera



CMSAHTC500FKEW CMSATHC500FKEW

- Full Color Dome
- 1/2.5" CMOS sensor
- 3.6mm Fixed Lens
- Suport Warm white (4000K) , up to 25m

www.longse.com

Data Subject To Change Without Notice

SPECIFICATION	
Model NO.	CMSAHTC500FKEW CMSATHC500FKEW
Video Output Mode	AHD: 8M@15fps, 5M@20fps/12.5fps, 4M@30fps/25fps/15fps, 2M@30fps/25fps; TVI: 8M@15fps/12.5fps,5M@20fps/12.5fps,4M@30fps/25fps/15fps, 2M@30fps/25fps; CVI: 8M@15fps/12.5fps,4M/2M@30fps/25fps
Camera	
Image Sensor	1/2.5" CMOS sensor
Image Resolution	8M:3840*2160 5M:2592*1944 4M:2560*1440 2M:1920*1080
TV System	PAL/NTSC
Electronic Shutter	Auto
Minimun Illumination	Color : 0.03 lux@F2.0, 0 Lux with white light
Scanning System	Progressive Scan
Lens	
Focus Length	3.6mm
Focus Control	Fixed
Lens Type	Fixed
Night Vision	
IR Cut Filter	YES
Infrared LED	NO, Suport Warm white (4000K)
Light Distanc	up to 25m
IR Status	AGC Auto Control
Camera Features	
Starlight	N/A
Day/Night	Color
OSD Menu	YES
WDR	DWDR
UTC	YES
Noise Reduction	DNR
Coaxial Audio	YES(only TVI)
White Balance	AUTO / MANUAL
Gain Control	AUTO
General	
Housing	Eyeball: Metal Base: Plastic, IP67
Bracket	NO
Operation Temperature	-10°C ~ +60°C RH95% Max
Storage Temperature	-20°C ~ +60°C RH95% Max
Power Source	DC12V±10%, 450mA
Dimension	∅ 109 x 93(H) mm
Weight	600g

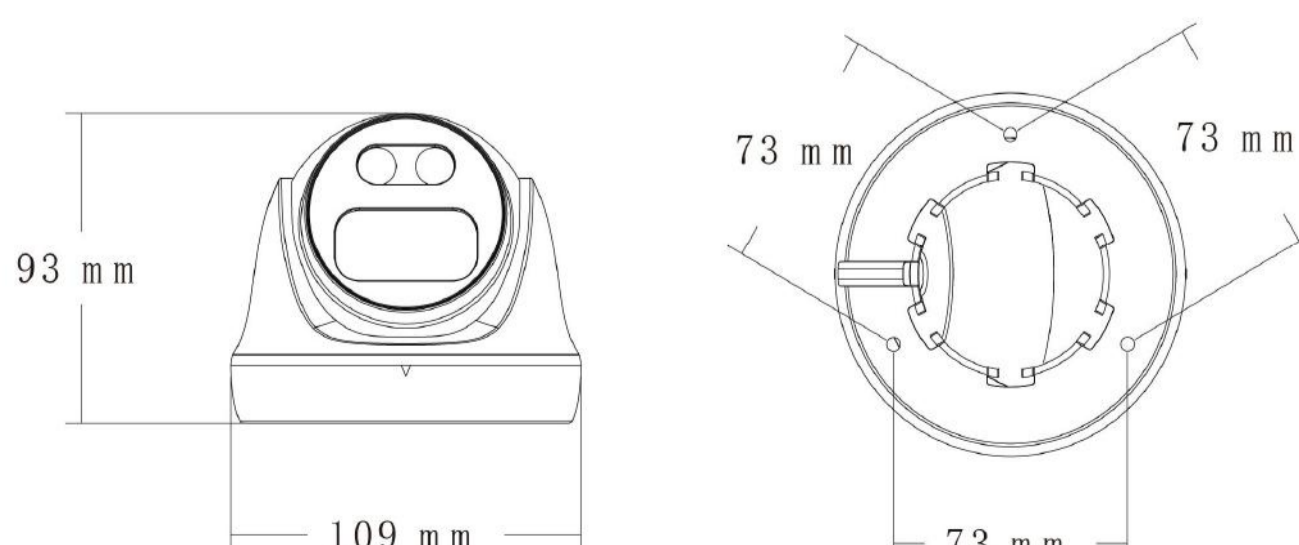
www.longse.com

Data Subject To Change Without Notice

Technical Specifications

Model	CMSA
Material	Aluminum & SECC & PC
Dimension(WxHxD)	∅109 x 93mm
Weight	single set 600g (with packaging 800g)
Color	Sand Grain White
Operating Temperature	-20°C ~ +60°C
Humidity	< 95% RH
Optional accessories	B116, B320, B173, PC116-CMSA

Dimensions (mm)



www.longse.com

Data Subject To Change Without Notice