

## DS-K1T805MBFWX Access Control Terminal



- High protective level: IP65 and IK08
- Slim and flexible design with metal
- 3,000 fingerprints, 10,000 cards and 100,000 events storage
- Built-in card reader for M1 card
- Supports operation by mobile App (Hik-Connect)
- Supports AP configuration, configuration via PC web and mobile web are available
- Supports multiple authentication types: card, fingerprint, PIN, and bluetooth

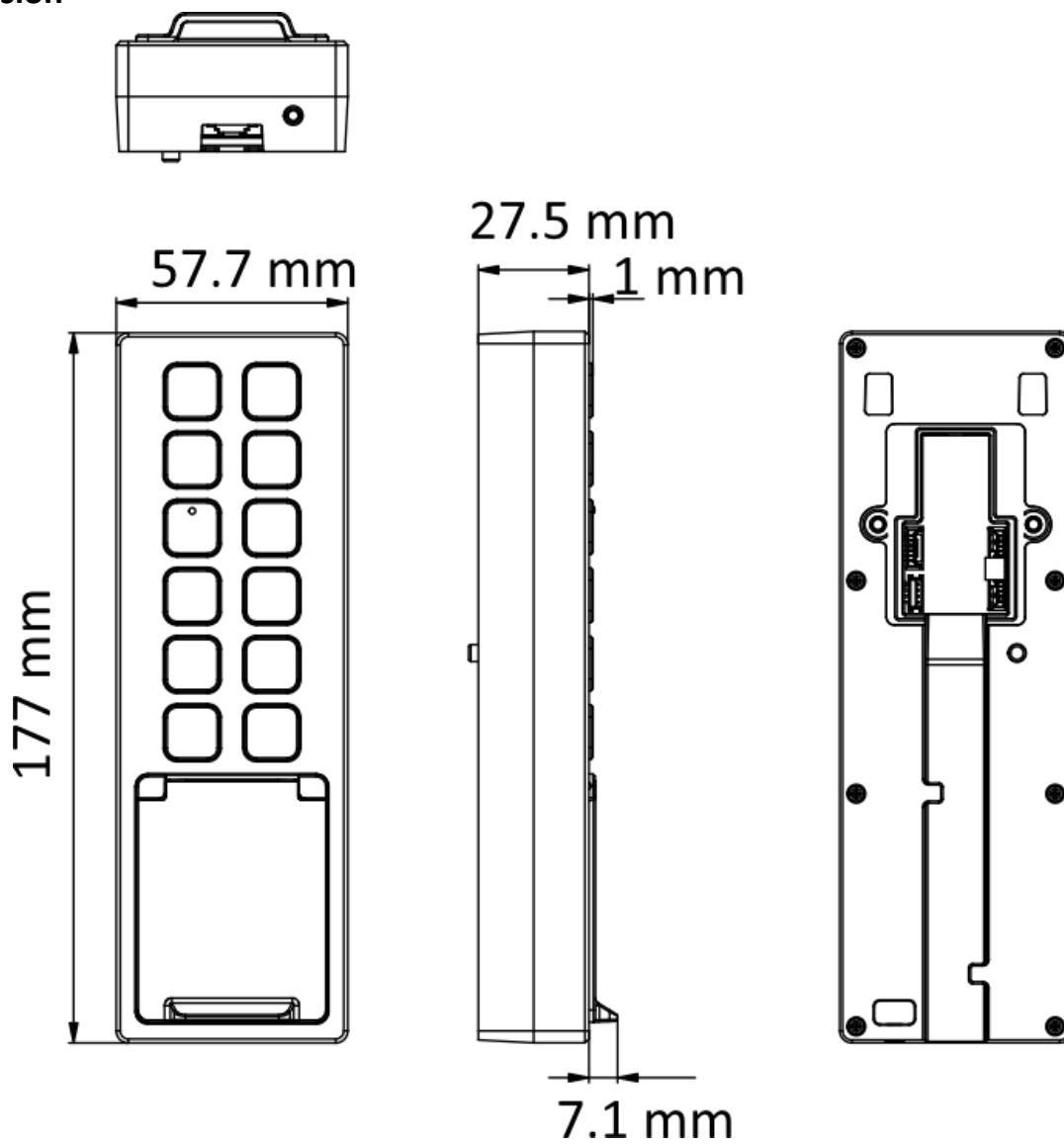
## ▪ Specification

System	
Operating system	Linux
Audio	
Audio output	1 built-in buzzer
Network	
Bluetooth	Support
Wired network	10/100 Mbps self-adaptive
Wi-Fi	2.4 GHz, IEEE802.11b, 802.11g, 802.11n, 802.11d, 802.11e, 802.11h, 802.11i
Interface	
RS-485	1, supports OSDP
Network interface	1
Wiegand	Wiegand 26/34
Lock control	1
Exit button	1
Door contact input	1
Alarm input	2
Alarm output	1
TAMPER	1
Capacity	
Card capacity	10,000
Fingerprint capacity	3000
Event capacity	100,000
Authentication	
Card type	M1 card
Card reading distance	0 to 4 cm
Card reading duration	< 1 s
Fingerprint module	Optical fingerprint module
Fingerprint comparing mode	1:1 and 1:N
Fingerprint recognition duration	< 1 s
Function	
Hik-Connect	Support
Configuration via Web Browser	Support PC web configuration and mobile web operation
General	
Power supply	12 VDC/1 A
Working temperature	-30 °C to 60 °C (-22 °F to 140 °F)
Working humidity	0% to 90% (no condensing)
Dimensions	57.7 mm × 177 mm × 34.6 mm (2.3" × 7.0" × 1.4")
Power consumption	≤ 12 W
Language	English, Vietnamese, Brazilian Portuguese, Spanish, French, Italian, Arabic, Thai, Turkish, Indonesian, Ukrainian, and Russian

## ▪ Available Model

DS-K1T805MBFWX

▪ Dimension





**Headquarters**

No.555 Qianmo Road, Binjiang District,  
Hangzhou 310051, China  
T +86-571-8807-5998  
www.hikvision.com



Follow us on social media to get the latest product and solution information.

