

DS-MH2330/GLF Portable Video Recorder



Features and Functions

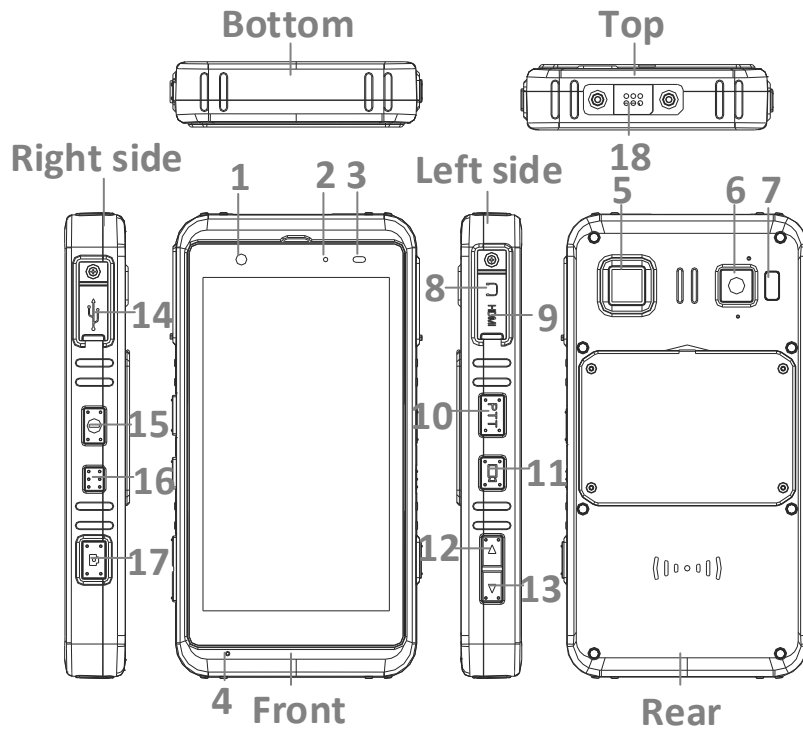
- Easy to carry the mobile terminal, meeting the needs of individual work.
- Three-proofing tech: water-proofing, dust-proofing and shock resistance.
- Built-in lithium battery supporting 8 hours of continuous record without connecting the network.
- Supporting TCP/IP protocols; transmitting video, audio and alarm data via network.
- Built-in 3G/4G and Wi-Fi (2.4G/5G) module.
- Connectable to platform for centralized monitoring.
- Supporting dual-stream: One for local high-definition storage and one for network transmission.
- Supporting full duplex two-way audio between device and platform.
- Supporting group intercom between devices via network.
- Supporting one SIM card for dialing. Both 3G and 4G SIM cards are supported.
- Supporting 64G internal storage and up to 64G external SD card.
- Build-in and external cameras for high definition videos.
- Built-in 13 megapixels rear-facing camera and 2 megapixels front-facing camera capture high definition pictures.
- Built-in LED flash lamp working as flashlight of camera or electric torch.
- Built-in GPS and BDS module precisely positioning the device and uploading location information to surveillance center.
- Built-in Bluetooth module supporting Bluetooth headset or printer.
- Fingerprint identification providing high security for access control.
- Different permissions can be assigned to the user accounts.
- Supporting simultaneous work of internal & external cameras.
- One-touch manual alarm can be uploaded to the platform.
- Supporting acceleration alarm in special case such as that the device falls off.
- Temperature alarm avoiding heat damage from the device.
- Automatically switch to power saving mode to extend the life of battery.
- Supporting OSD of date & time, camera name and positioning information.
- Supporting the connection of RF card reader (NFC).
- Supporting the switch of input method.
- Supporting Calculator, Clock, Torch and Compass.
- Supporting application installation by the admin account.
- Sharing Internet connection with other devices via Tethering; working as a portable Wi-Fi hotspot.



Specifications

Model		DS-MH2330/GLF
Performance	Operating system	Android 4.1.2
	CPU	cortex-A9 Dual-Core 1.2 G Hz
	RAM	≥ 2G
	ROM	64G
Video/Audio input	Video input	2-ch, built-in HD camera and HD external video input (optional)
	Audio input	Host MIC, Wired MIC, Bluetooth headset
Video/Audio output	LCD	1920 × 1080, 5.5"
	Audio output	Wired or Bluetooth headset; Speaker
	Video output	Micro HDMI
Encoding/decoding parameters	Video compression	H.264
	Encoding resolution	For both internal and external cameras: 1080P / 720P / D1 / VGA / QVGA.
	Decoding performance	1080P@25fps
Camera	Internal camera	1-ch, 13 megapixels for rear-facing camera and 2 megapixels for front-facing camera
	External camera	1-ch, 1080P
External storage	Type	Micro SD (TF) Card
	Capacity	Max. 64GB
UI	Touch screen	Capacitive Touch screen
	Button	Power on/off, Menu, Home page, Return, Record, Alarm, Capture, Audio+/Audio-, PTT
Network	3G/4G mobile networks	TDD-LTE/FDD-LTE/WCDMA
	Bluetooth	BT V4.0
	WI-FI	802.11a/b/g/n (2.4G/5G)
External interface	Headset interface	1, for the wired headset
	Micro USB interface	1, USB2.0
	External camera interface	1, for installing the external camera if needed
General	Fingerprint identification	Support
	SD-KEY	Support
	Digital certificate	Support
	Electronic compass	Support
	Positioning	Built-in GPS/BDS
	Sensor	G-sensor, Temperature sensor, Light sensor, Proximity sensor
	Flash light	High Brightness LED
	Battery	Built-in, 3.8V/6800mAh
	Protection level	IP67, 1.8 meters of fall protection
	Standby time	100 hours
	Service time	8 hours for recording only without network transmission
	Working condition	Working condition temperature: -10 °C to +50 °C (14 °F to +122 °F) Charging condition temperature: 0 °C to +45 °C (32 °F to +113 °F) Humidity: 10% to 90%
	Dimensions (H × W × D)	168 × 88 × 22 mm (6.6 × 3.5 × 0.9 inch)
Weight	Approx. 380g (with the battery)	

Physical Interfaces



Index	Description	Index	Description
1	Front-facing camera	10	PTT
2	Status light	11	Record
3	Light sensor/Proximity sensor	12	Audio+
4	MIC	13	Audio-
5	Fingerprint area	14	USB interface
6	Rear-facing camera	15	Power
7	Flash light	16	Alarm
8	Headset interface	17	Camera
9	Micro HDMI port	18	External camera interface

Distributed by

Available Models

DS-MH2330/GLF

Headquarters

No.555 Qianmo Road, Binjiang District,
Hangzhou 310051, China
T +86-571-8807-5888
overseasbusiness@hikvision.com

Hikvision USA
T +1-909-895-0400
sales.usa@hikvision.com

Hikvision Italy
T +39-0438-69002
info.it@hikvision.com

Hikvision Singapore
T +65-6884-4718
sg@hikvision.com

Hikvision Europe
T +31-23-5542770
sales.eu@hikvision.com

Hikvision France
T +33011-85-330-444
info.fr@hikvision.com

Hikvision Oceania
T +61-2-8599-4233
sales.au@hikvision.com

Hikvision Middle East
T +971-4-8818086
sales.me@hikvision.com

Hikvision Spain
T +34-91-717-16-55
info.es@hikvision.com

Hikvision Hong Kong
T +852-2151-1761

Hikvision Russia
T +7-495-669-67-99
sales.ru@hikvision.com

Hikvision Poland
T +48-22-460-01-50
poland@hikvision.com

Hikvision Canada
T +1-909-895-0400
sales.usa@hikvision.com

Hikvision India
T +91-22-2848900
sales@pramahikvision.com

Hikvision UK
T +44-1828-9021-4
support.uk@hikvision.com