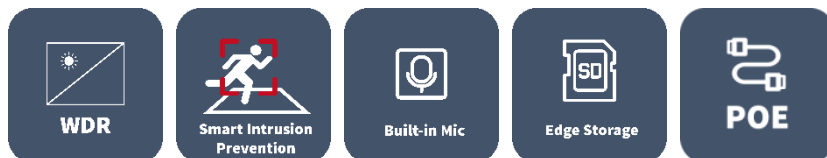


3MP HD Dual Light Network PT Camera

IPC-P213-AF40KC



Key Features



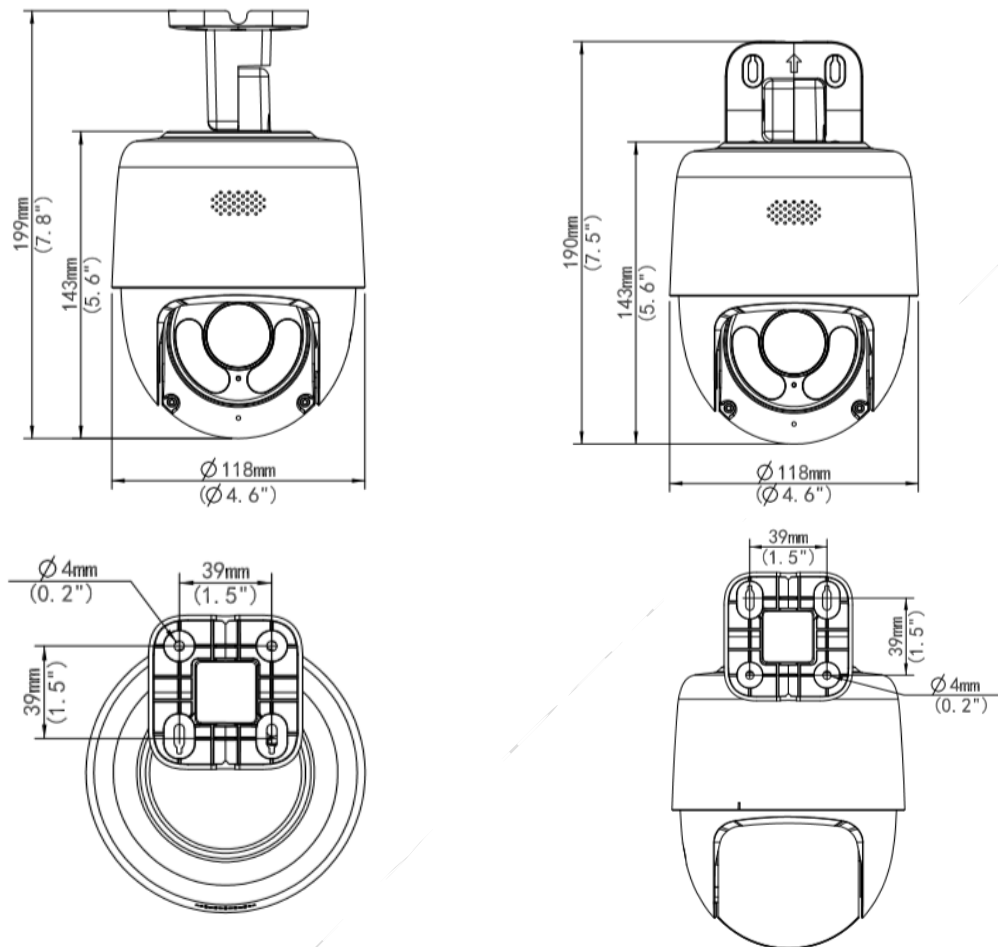
- 2304*1296@20fps in the main stream
- Ultra 265, H.265, H.264
- Smart intrusion prevention, support false alarm filtering, include cross line detection and intrusion detection
- Support digital WDR (Wide Dynamic Range)
- Built-in Mic & Speaker, support two-way audio, offer better interaction
- Smart IR, Up to 30 m (98 ft) IR and 30m (98 ft) warm light distance, suitable for more scenes
- Self-contained bracket, support two kinds of mounting
- Supports 256 G Micro SD card
- IP66 ingress protection
- DC12V or PoE (IEEE 802.3af) power supply
- The front face is made of grapheme, which has better heat dissipation and more environmental protection

Specifications

IPC-P213-AF40KC					
Camera					
Sensor	1/2.8" progressive scan, 3.0 megapixel, CMOS				
Min. Illumination	Colour:0.005 lux (F1.6,AGC ON) 0 lux with IR				
Day/Night	IR-cut filter with auto switch (ICR)				
Shutter	Auto/Manual, shutter time: 1 s ~ 1/100000 s				
WDR	Digital				
S/N	>52dB				
Lens					
Lens type	4mm				
Iris	Fixed; F1.6				
Field of View (H)	90.5°				
Field of View (V)	44.4°				
Field of View (D)	111.3°				
DORI					
DORI Distance	Lens (mm)	Detect (m)	Observe (m)	Recognize (m)	Identify (m)
	4mm	73.5 (241.0ft)	29.4 (96.4ft)	14.7 (48.2ft)	7.3 (24.1ft)
Illuminator					
IR Range	Up to 30m (98ft)				
Warm Light Range	Up to 30m (98ft)				
Wavelength	850nm				
IR On/Off Control	Auto/Manual				
Video					
Video Compression	Ultra 265, H.265, H.264				
Frame Rate	Main Stream: 3MP (2304*1296), Max 20fps; Sub Stream: D1 (720*576), Max 20fps;				
Video Bit Rate	128 Kbps~6 Mbps				
ROI	Support				
Video Stream	Dual streams				
OSD	Up to 2 OSDs				
Privacy Mask	Up to 4 areas				
Image					
White Balance	Auto/Outdoor/Fine Tune/Sodium Lamp/Locked/Auto2				
Digital Noise Reduction	2D/3D DNR				
Smart IR	Support				
Flip	Normal/Flip Vertical/Flip Horizontal/180°				
HLC	Support				
BLC	Support				
Defog	Digital Defog				
Intelligent					
Smart Intrusion Prevention	Support false alarm filtering: Cross Line detection, Intrusion detection				

Events	
Basic Detection	Motion detection, Audio detection
General Function	Access Policy, RTSP Authentication, User Authentication
Audio	
Audio Compression	G.711U,G.711A
Two-way Audio	Support
Suppression	Support
Sampling Rate	8 kHz
Storage	
Edge Storage	Micro SD, up to 256 GB
Network Storage	ANR
Network	
Protocols	IPv4, TCP, UDP, DHCP , RTSP, DNS, DDNS, NTP, HTTP, HTTPS, 802.1x , SSL
Compatible Integration	ONVIF (Profile S, Profile G, Profile T), API
Web Browser	Plug-in required live view: IE 8-11
Pan & Tilt	
Pan Range	0° ~ 345°
Pan Speed	1°/s ~ 40°/s
	Preset speed: 40°/s
Tilt Range	0° ~ 90°
Tilt Speed	0.1°/s ~ 30°/s
	Preset speed: 30°/s
Number of Presets	256
Home Position	Support
Interface	
Built-in Mic	Support
Built-in Speaker	Support
Network	1 * RJ45 10M/100M Base-TX Ethernet
General	
Power	DC 12V±25%, PoE(IEEE 802.3af)
Power Interface	Ø 5.5mm coaxial power plug
Dimensions (Ø x H)	Φ118mm*118mm*199mm (Φ4.6"x 4.6"x 7.8")
Weight	0.53kg(1.17lb)
Working Environment	-30°C ~ 60°C (-22°F to 140°F), Humidity: ≤95% RH(non-condensing)
Surge Protection	4KV
Reset Button	Support
Protection	Ingression protection: IP66 Vandal resistant: N/A

Dimensions



www.uniview.com/uniarch

©2022 Zhejiang Uniview Technologies Co., Ltd. All rights reserved.

*Product specifications and availability are subject to change without notice.