

KAUDEN™

Item Code – LZC5E/100

Box Quantity - 100 plugs

Item Code – LZC5E/10

Bag Quantity - 10 plugs

KAUDEN™ RJ45 Hi Specification CAT5e Pass Through Plug – For 24 AWG solid/stranded wire

(also rated for CAT6 but only 24AWG and not 23 AWG which has a bigger conductor)



Shown above is standard plug. With LZC5E plug the cable can move further towards the contacts , retaining the twist integrity

- RJ45 Pass-Through plugs allow visual inspection before crimping. For 24 AWG Cable. Compatible with all Brands of Pass Through Crimping Tools
- Allows one to feed the cable nearer to the pins than standard CAT5e Pass Through Plug retaining the cable twist integrity and so enhancing performance.
- Suitable for both solid and stranded cable due to special 3 prong pin configuration
- 1mm entry holes for inner conductors that are common for 24AWG CAT5E solid core cable
- Crystal finish PC UL94V2 Rated Flame Retardant body with 50 Micron Gold Plated pins

The generic name for these plugs is known as “RJ45 Pass-Through Plug” but are also called EZ Plugs*. KAUDEN plugs are a high quality plug using Japanese Tenjin “Crystal” PC material and engineered for precision that helps prevent errors at the crimp cutting stage that is commonly found on unbranded plugs. Precision is paramount with these connectors.

The main idea is that an RJ45 Connector is dressed up with the wires hanging out as per the image shown above and a special tool Crimps and Cuts the wires flush with the end of the plug at the same time. KAUDEN plugs have what is termed a “Crystal” finish in the plug world whereas poor quality plugs can sometime appear to have a cloudy plastic finish.

*The EZ Plug Trademark is used for suitability and/or comparison purposes only and is the property of the respective owners and not connected with KAUDEN.

General

Sale Unit
Barcode
Weight Packed
Dimension Packed

Commodity Code
5028088001882

Item Code – LZC5E/100

Color box 100 plugs
5028088001882
0.170 Kg
70x68x140 mm
Height Width Depth

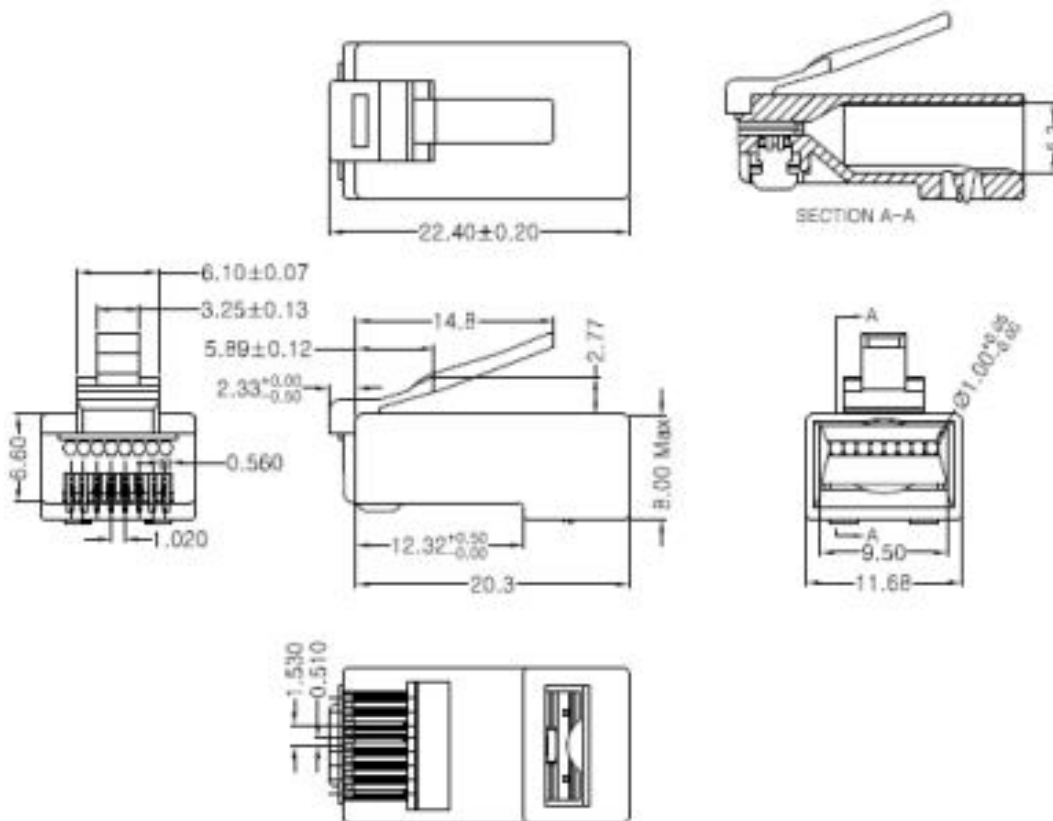
853670099

Item Code – LZC5E/10

Polybag 10 plugs
5028088001899
0.015 kg
130x80x10mm
Height Width Depth

Technical

1. Operation Temperature: $-40^{\circ}\text{C} \sim +85^{\circ}\text{C}$.
2. Electrical Characteristics:
 - 2.1>Rated Current: 125V AC, 1.5A@25 $^{\circ}\text{C}$.
 - 2.2>Contact Resistance: 20m Ω Max.
 - 2.3>Insulation Resistance: 500M Ω Min, 100V DC/min.
 - 2.4>Voltage Proof: 1000V AC/1 minute no breakdown
3. Mechanical Characteristics:
 - 3.1>Insertion Force & Withdrawal Force: 30N Max.
 - 3.2>Durability: 750 cycles Min.
4. Environmental compliance:
 - 4.1>the products are compliant with the RoHS, and REACH etc.



Further Notes

The LZC5E is our higher end CAT5e plug and has 1mm entry/exit holes configured in a straight line . The rear entry has basic sqare entry hole and the cable can be inserted up to the position x giving better performance as the cable twist can be further maintained.

(As mentioned this plug is labelled as CAT5E but is in fact also rated as CAT6 but only for 24AWG and not 23 AWG which has bigger inner conductors and needs bigger and staggered entry exit holes see KAUDEN type LZC6)

