



## Wireless outdoor security motion sensor with *Ricochet*® mesh technology

Enhance your security with exceptional external detection performance. The Premier External TD-W is a purpose built wireless outdoor sensor for security applications. Designed for protecting external areas, the Premier External TD-W is also ideal for triggering gates, external lights and cameras.

- 12m volumetric range, adjustable to 8, 5 & 2 metres
- *Ricochet* mesh technology
- 90° viewing angle, rotatable through 180°
- Non-overlapping twin mirrored PIR optics
- Day/night mode
- Powered by 2 x AA lithium batteries (supplied)
- Up to 4 years battery life
- Available in black or white
- Compatible with Premier and Premier Elite control panels
- EN50131-5-3 Grade 2 Class IV



Trigger cameras and external lights (not included)



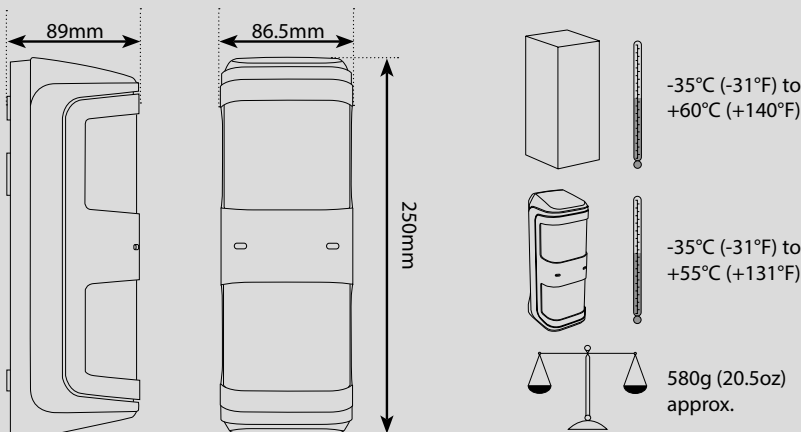
# Premier External TD-W

# Texecom



Featuring *Ricochet* mesh technology, the Premier External TD-W offers superior wireless connectivity allowing system designers freedom of positioning, and makes upgrading systems quick and easy.

Featuring two non-overlapping PIR sensors with superior mirrored optics for outstanding false alarm immunity, the Premier External TD-W is the perfect front-line defence for any home.



Specifications	
Mounting Height:	1.0 - 1.4m, 1.2m nominal
Supply Voltage:	3 VDC (2 x 1.5 VDC AA Lithium Batteries)
Battery Life	Up to 4 years
Current Drain (typical):	70µA
Detection Method:	Dual, non-overlapping, digital PIR
Range:	12m max. Adjustable to 8m, 5m and 2m
Tamper Detection:	Wall and case. Sealed non-mechanical switch
Start Up Time:	60 secs
Waterproof Coating:	Conformal

Standards	
EMC:	EN 55022: Class B, EN50130-4:2011, EN61000-6-3:2011
R&TTE:	EN300 220-2 V2.4.1
Environmental:	IP65
Frequency Band:	868.0 - 868.6 MHz
Receiver:	Category 1, Class 2
Receiver LBT (Listen Before Talk)	Yes
Transmitter Duty Cycle:	868MHz <1%
Low Voltage Signal:	2.85V

Texecom products are protected by UK & International patents, trademarks & registered design rights. Premier and Ricochet are trademarks of Texecom Ltd. © 2015



Texecom products are designed and manufactured in the UK

LIT-0228

[www.texe.com](http://www.texe.com)  
Sales: +44 (0)1706 220460