

2MP ColorHunter HD Fixed PT Analog Camera

UAC-P112-AF40-W



Introduction

UAC-P112-AF40-W is a 2MP ColorHunter HD fixed PT analog camera with a high-performance 1/2.9-inch CMOS sensor. It supports TVI/AHD/CVI/CVBS, which effectively enhances product adaptability and diversity of networking solutions. With SYV-75-3 or other coaxial cable types, the camera can achieve low-cost, long-distance, and anti-interference megapixel HD video transmission without time delay. It supports audio input, synchronous transmission of audio and video, and provides 24/7 color images. The pan&tilt design allows the camera to rotate horizontally and vertically to achieve a wide range of monitoring.

Features

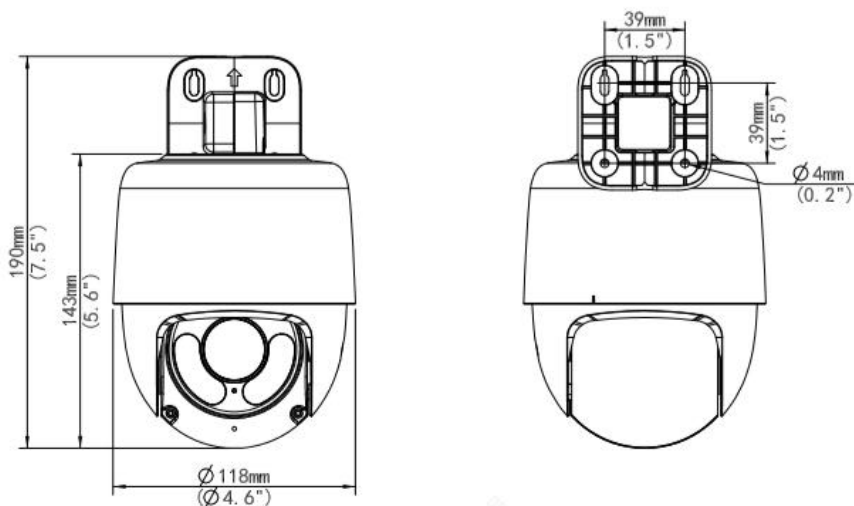
- 2MP high quality imaging
- TVI/AHD/CVI/CVBS
- Supports white light illumination, 24/7 color images
- Supports 180° horizontal flip, 180° vertical flip
- OSD configuration menu, easy to operate
- IP66 waterproof and dustproof design, high reliability
- OSD configuration menu in 11 languages
- Built-in microphone for high quality audio transmission via coaxial cables
- Supports 0 to 345° pan range, 0 to 90° tilt range
- Supports digital defog

Specifications

Model	UAC-P112-AF40-W
Sensor	
Pixel	2MP
Size	1/2.9"
Minimum illumination	0.005 lux (F1.6, AGC ON) 0 lux (white light on)
Lens	
Lens	4.0mm
Lens mount	M12
Angle of view	H: 83.8° V: 42.7° D: 100.1°
Illuminator	
Illuminator	Eight white-light illuminators
Illumination distance	30m
Lifetime	≥20,000 hours
Video	
Resolution	1080P: 1920(H)×1080(V) 720P: 1280(H) ×720(V)
Frame rate	TVI/AHD/CVI: 1080P@25fps (default), 1080P@30fps; 720P@30fps, 720P@25fps CVBS: PAL, NTSC
Shutter time	PAL: 1/25s-1/50000s NTSC: 1/30s-1/50000s
Image	
Exposure mode	Four modes: Global (default), BLC, HLC, DWDR
Day/Night	24/7 color images
Digital noise reduction	2D/3D
White balance	Two modes: Auto (default), Manual
WDR	DWDR
Flip	Supports 180° horizontal flip, 180° vertical flip
Defog	Digital Defog
Pan & Tilt	
Pan range/speed	Pan range: 0° to 345° Pan speed: 1° to 40°/s
Tilt range/speed	Tilt range: 0° to 90° Tilt speed: 1° to 30°/s
Presets	32
Control mode	Coaxial control, RS485 control
Audio	
Microphone	Built-in Mic
Camera audio	TVI: 1080P@25fps, 1080P@30fps CVI: 1080P@25fps, 1080P@30fps
Interface	
Power	5.5mm power interface
Video output	BNC, supports TVI/AHD/CVI/CVBS

RS485	1* RS485, supports 9600bps, 4800bps, 2400bps, 1200bps
Operating environment	
Temperature	-30°C to 60°C (-22°F to 140°F)
Humidity	≤95% (RH, non-condensing)
Surge protection	4kV for power and video output interfaces, 6kV for RS485 interface
Ingress protection	IP66
General	
Power	DC 12V (±25%), with reverse polarity protection. Max 8.5W
Mount	Supplied bracket for wall or pendent mount; optional bracket and junction box (sold separately) for pole mount and corner mount
Dimensions	Φ118mm*190mm (diameter*height)
Material	Plastic
Weight	477g (1.05lb)
Certification	CB, CE, FCC

Dimensions



UAC-P112-AF40-W

Accessories

TR-JB05-A-IN

Junction Box



TR-UC08-C

Corner Mount

TR-UP06-B-IN

Pole Mount



PWR-DC1201A-UK

Wall Plug-in UK Power

TR-UP06-C-IN

Pole Mount



PWR-DC1201A-US

Wall Plug-in US Power

TR-A01-IN

Waterproof Joint



PWR-DC1201A-EU

Wall Plug-in EU Power



Adapter



Adapter

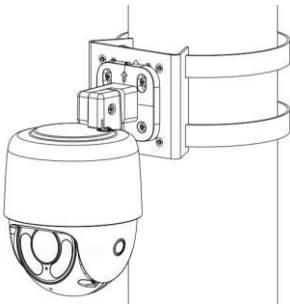


Adapter

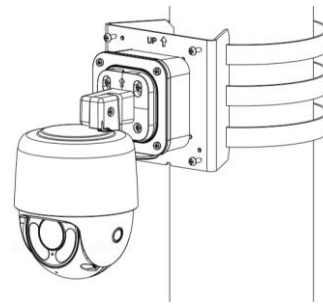


Mount

TR-UP06-B-IN

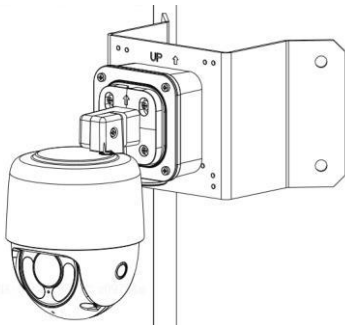


TR-JB05-A-IN+TR-UP06-C-IN



* If a junction box is used, the tail cable that leads directly from the sun shield will be exposed.

TR-JB05-A-IN+TR-UC08-C



* If a junction box is used, the tail cable that leads directly from the sun shield will be exposed.

Zhejiang Uniview Technologies Co., Ltd.

Building No. 369, Xietong Road, Xixing Sub-district, Binjiang District, Hangzhou City, Zhejiang Province, China (310051)

Email: overseasbusiness@uniview.com; globalsupport@uniview.com

<https://www.uniview.com>

©2023 Zhejiang Uniview Technologies Co., Ltd. All rights reserved.

*Product specifications and availability are subject to change without notice.