

22 Inch Monitor

MT-22-V



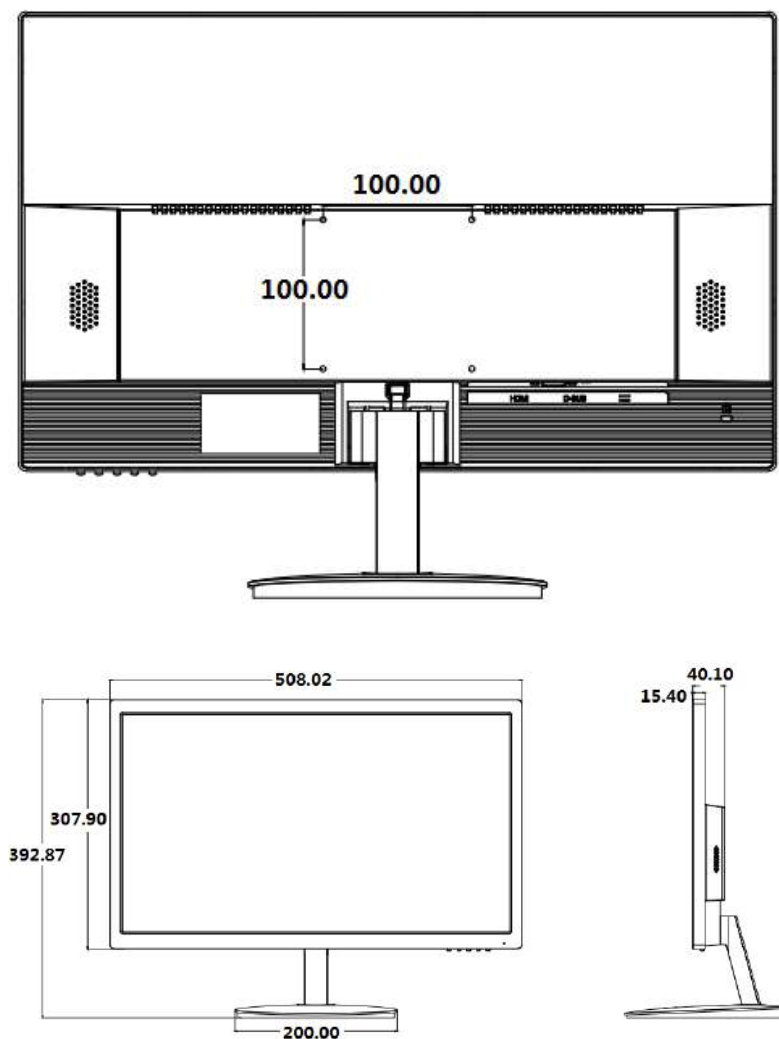
Features

- True color display
- Resolution is up to at 1920*1080
- Wide view of field:178° (H)/ 178° (V)
- Specific menu design, which is simple to operate
- Support 7*24 working and lower power consumption
- Adaptively recognize signal
- VESA stand bracket
- Support multiply language

Specifications

Panel	Description
Panel Type	LED Backlight
Panel Size	22"
Pixel Pitch (H*V) (mm)	0.248*0.248
Resolution	1920*1080
Color Support	16.7M
Brightness (cd/m ²)	250
Contrast Ratio	3000:1
Refresh Rate	60Hz
Response Time (ms)	7
Viewing Angle (H/V)	Horizontal 178° , Vertical 178°
Operation Hour	24/7
Interface	Description
Video Input	1* VGA、1* HDMI
VESA	Description
VESA (mm)	100*100
Wall-mounted Thread	4-M4 Threaded hole
OSD	Description
Multi-Language	8 (English, French, Spanish, German, Russian, Korean, Japanese, Simplified Chinese)
General	Description
Input Voltage	DC 12V, 2A
Typical power consumption (W)	≤24(on)
Standby power consumption (W)	≤0.5(Standby)
Product Dimensions (W*H*D) (mm)	508.02*392.87*200.00(With Pedestal)
Package Dimensions (W*H*D) (mm)	566*382*116
Weight (Kg)	Net Weight:2.3 Gross Weight:3.4
Operation Temperature	0° C ~ 40° C
Operating Humidity	20%~85% (No Condensation)
Storage Temperature	-10° C ~ 50° C
Storage Humidity	10%~90% (No Condensation)
Standard	HDMI Cable、Adapter、Pedestal、Quick Guide

Dimensions



Interface



Zhejiang Uniview Technologies Co., Ltd.

No. 369, Xietong Road, Xixing Sub-district, Binjiang District, Hangzhou City, 310051, Zhejiang Province, China

Email: overseasbusiness@uniview.com; globalsupport@uniview.com

<http://www.uniview.com>

©2023-2024 Zhejiang Uniview Technologies Co., Ltd. All rights reserved.

*Product specifications and availability are subject to change without notice.

*Despite our best efforts, technical or typographical errors may exist in this document. Uniview cannot be held responsible for any such errors and reserves the right to change the contents of this document without prior notice.