

# 2\*4MP Dual-channel Non-Splicing Multiview Series IR Fixed Intelligent Network Camera

IPC3224SS-ADF28(40)K-I1



## Key Features



- High quality image with 2\*4MP resolution, 1/3.0"CMOS sensor
- Single IP with dual channels
- 4MP (2688\*1520)@25/20fps; 4MP(2560\*1440)@25/20fps; 3MP(2304\*1296) @30/25fps;2MP(1920\*1080)@30/25fps
- Ultra 265, H.264,H.265, MJPEG
- Both channels support intelligent perimeter protection, include cross line, intrusion, enter area, leave area detection
- Based on target classification, smart intrusion prevention significantly reduce false alarm caused by leaves, birds and lights etc., accurately focus on human and motor vehicle and non-motor vehicle
- Intelligent People Flow Counting and Crowd Density Monitoring (Only Channel 1)
- 130dB true WDR technology enables clear image in strong light scene
- Built-in two Mics
- Supports 256 GB Micro SD card
- DC12V or PoE(IEEE 802.3af) power supply
- IP67 protection and IK10 vandal resistant
- 3-Axis

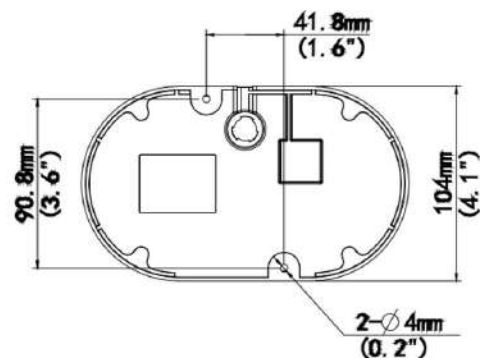
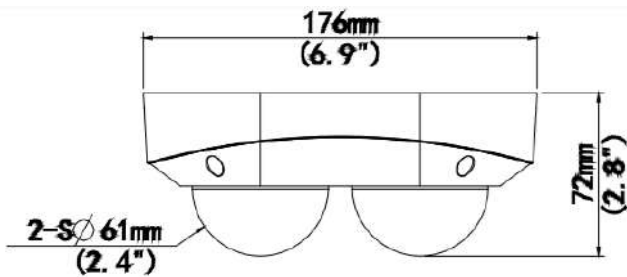
## Specifications

	IPC3224SS-ADF28(40)K-I1				
<b>Camera</b>					
Sensor	1/3.0", 4.0 megapixel, progressive scan, CMOS				
Minimum Illumination	Colour:0.002 (F1.6, AGC ON) 0 lux with IR				
Day/Night	IR-cut filter with auto switch (ICR)				
Shutter	Auto/Manual, 1 ~ 1/100000s				
Adjustment angle	Pan: 0° ~ 180°	Tilt: 0° ~ 66°		Rotate: 0° ~ 346°	
WDR	130dB				
S/N	>52dB				
<b>Lens</b>					
Lens type	2.8mm@F1.6		4.0mm@F1.6		
Iris	Fixed				
Field of View (H)	97.7°		81.4°		
Field of View (V)	52.7°		43.4°		
Field of View (O)	102.5°		86.9°		
<b>DORI</b>					
DORI Distance	Lens (mm)	Detect (m)	Observe (m)	Recognize (m)	Identify (m)
	2.8	63.0m(206.7ft)	25.2m(82.7ft)	12.6m(41.3ft)	6.3m(20.7ft)
	4.0	90.0m(295.3ft)	36.0m(118.1ft)	18.0m(59.1ft)	9.0m(29.5ft)
<b>Illuminator</b>					
IR Range	Up to 30m (98ft) IR range				
Wavelength	850nm				
IR On/Off Control	Auto/Manual				
<b>Video</b>					
Video Compression	Ultra 265, H.265, H.264, MJPEG				
H.264 code profile	Baseline profile, Main profile, High profile				
Frame Rate	Main Stream:4MP(2688*1520) ,Max 25fps; 4MP(2560*1440), Max 25fps; 3MP(2304*1296), Max 30fps; 1080P (1920*1080), Max 30fps; 720P(1280*720) Max 30fps Sub Stream: 720P (1280*720), Max 30fps; D1 (720*576), Max 30fps; 640*360,Max 30fps; 2CIF(704*288), Max 30fps; CIF(352*288), Max 30fps; Third Stream: D1 (720*576), Max 30fps; 640*360,Max 30fps; 2CIF(704*288), Max 30fps; CIF(352*288), Max 30fps;				
Video Bit Rate	128 Kbps~16 Mbps				
U-code	Support				
OSD	Up to 8 OSDs				
Privacy Mask	Up to 4 areas				
ROI	Up to 8 areas				
Video Stream	Triple streams				
<b>Image</b>					
White Balance	Auto/Outdoor/Fine Tune/Sodium Lamp/Locked/Auto2				
Digital Noise Reduction	2D/3D DNR				
Smart IR	Support				
Flip	Normal/ Flip Vertical/ Flip Horizontal/180°/90°Clockwise/90°Anti-clockwise				

Dewarping	N/A
HLC	Support
BLC	Support
Defog	Digital Defog
<b>Intelligent</b>	
Smart intrusion prevention	Support false alarm filtering: Line crossing detection, Intrusion detection, Enter Area detection, Leave Area detection
Statistical Analysis	People counting, support people flow counting and crowd density monitoring(Only Channel 1)
<b>Events</b>	
Basic Detection	Motion detection, Ultra motion detection, Tampering alarm, Audio detection
General Function	Watermark, IP address filtering, Tampering alarm, Access policy, ARP protection, RTSP authentication, User authentication
<b>Audio</b>	
Audio Compression	G.711U, G.711A
Audio Bitrate	64 Kbps
Two-way audio	Support
Suppression	Support
Sampling Rate	8KHZ
<b>Storage</b>	
Edge Storage	Micro SD, up to 256GB
Network Storage	ANR, NAS(NFS)
<b>Network</b>	
Protocols	IPv4,IPv6, IGMP, ICMP ,ARP, TCP, UDP, DHCP, PPPoE, RTP, RTSP, RTCP, RTMP, DNS, DDNS, NTP, FTP, UPnP, HTTP, HTTPS, SMTP, 802.1x, SNMP, QoS, SSL/TLS, SSH
Compatible Integration	ONVIF (Profile S, Profile T, Profile G), API,SDK
User/Host	Up to 32 users. 3 user levels: administrator, common user and operator
Security	Password protection, Strong password, HTTPS encryption, Export operation logs, Basic and digest authentication for RTSP, Digest authentication for HTTP, TLS 1.2 , WSSE and digest authentication for ONVIF
Client	EZStation EZView EZLive
Web Browser	Plug-in required live view: IE 10 and above, Chrome 45 and above, Firefox 52 and above, Edge 79 and above
	Plug-in free live view: Chrome 57.0 and above, Firefox 58.0 and above, Edge 16 and above
<b>Interface</b>	
Audio I/O	Input: impedance 35kΩ; amplitude 2V [p-p]
	Output: impedance 600Ω; amplitude 2V [p-p]
Alarm I/O	1/1
Serial Port	N/A
Built-in Mic	Built-in two Mics
Built-in Speaker	N/A
WIFI	N/A
Network	1 RJ45 10M/100M Base-TX Ethernet
Video Output	N/A
<b>Certifications</b>	
EMC	CE-EMC (EN 55032, EN 61000-3-3,EN IEC 61000-3-2,EN 55035) FCC (FCC 47 CFR part15 B)
Safety	CE-LVD (EN 62368-1) UL/CUL (UL 62368-1, CAN/CSA C22.2 No. 62368-1)

Environment	CE-RoHS (2011/65/EU;(EU)2015/863); WEEE (2012/19/EU);
Protection	IP67 (IEC 60529) IK10 (IEC 62262)
<b>General</b>	
Power	DC 12V±25%, PoE (IEEE 802.3af)
	Power consumption: Max 9.1w
Power Interface	Ø 5.5mm coaxial power plug
Dimensions	176×104×72mm (6.9" × 4.1" × 2.8")
Weight	0.62kg(1.37lb)
Material	Metal
Working Environment	-30°C ~ 60°C (-22°F ~ 140°F), Humidity: ≤95% RH (non-condensing)
Storage Environment	-30°C ~ 60°C (-22°F ~ 140°F), Humidity: ≤95% RH (non-condensing)
Surge Protection	4KV
Reset Button	Support

## Dimensions



## Accessories

TR-JB08

Junction Box



TR-A01-IN

Waterproof Joint



TR-CM24-IN

Pendant Mount



TR-SE24-IN

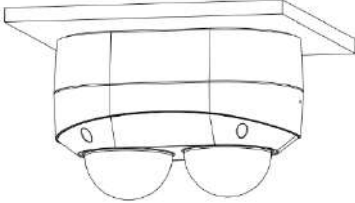
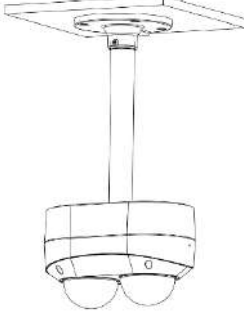
Pendant Mount



TR-SE24-A-IN

Pendant Mount



Junction box	Pendent mount
TR-JB08+ TR-A01-IN	TR-JB08+ TR-A01-IN + TR-CM24-IN +TR-SE24-IN(TR-SE24-A-IN)
	

**Zhejiang Uniview Technologies Co., Ltd.**

Building No. 369, Xietong Road, Xixing Sub-district, Binjiang District, Hangzhou City, Zhejiang Province, China (310051)

Email: [overseasbusiness@uniview.com](mailto:overseasbusiness@uniview.com); [globalsupport@uniview.com](mailto:globalsupport@uniview.com)

<https://www.uniview.com>

©2023 Zhejiang Uniview Technologies Co., Ltd. All rights reserved.

\*Product specifications and availability are subject to change without notice.