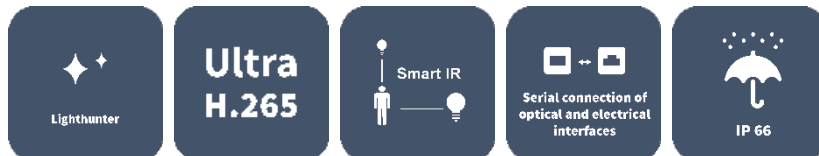


8MP+8MP Lighthunter Dual-lens Network PTZ Camera

IPC68188EFW-X25-F40G-VH



Key Features



- Dual channels with one IP, look at overall situation and consider details at the same time
- Support dual-lens' video spliced in one channel, which can obtain a wider monitoring range
- Ultra 265, H.265, H.264, MJPEG
- Gyroscope stabilization for stable picture
- 25X optical zoom of PTZ channel allows for closer viewing of subjects
- Lighthunter technology ensures ultra-high image quality in low illumination environment
- IR & warm light illumination to deal with different scenes and achieve full-color illumination
- AC 24V \pm 25% or DC 24V \pm 25% power supply

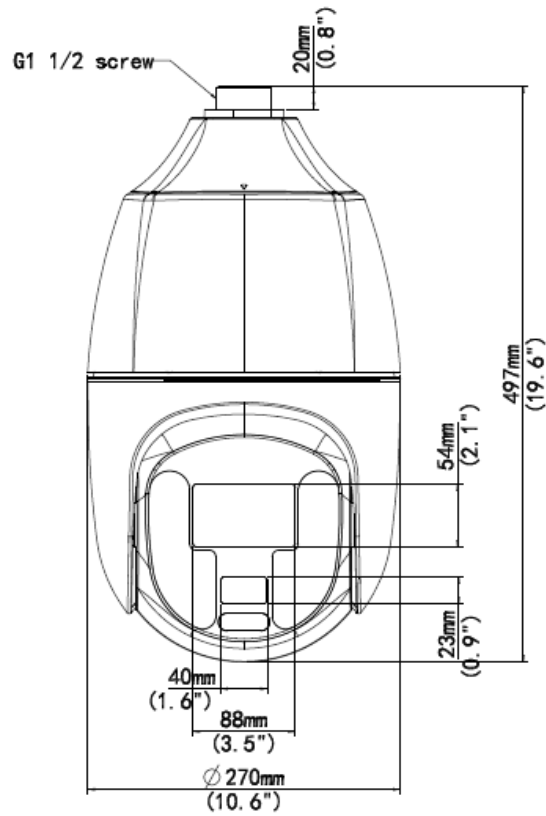
Specifications

| | | | | | |
|-------------------------|---|---------------------|---|-------------------|-------------------|
| IPC68188EFW-X25-F40G-VH | | | | | |
| Camera | | Channel 1 | | Channel 2 | |
| Sensor | 1/1.8", 8MP, CMOS | | 1/1.2", 8MP, CMOS | | |
| Min. Illumination | Colour:0.0005 lux (F1.0, AGC ON) 0 lux with Warm light | | Colour:0.0005 lux (F1.6, AGC ON) 0 lux with IR | | |
| Day/Night | N/A | | IR-cut filter with auto switch (ICR) | | |
| Shutter | Auto/Manual, 1 ~ 1/100000s | | | | |
| WDR | 120dB | | | | |
| S/N | > 56dB | | | | |
| Lens | | | | | |
| Lens type | 4mm@F1.0 | | 10~250mm@F1.6, AF automatic focusing and motorized zoom lens | | |
| Digital Zoom | N/A | | 16X | | |
| Optical Zoom | N/A | | 25X | | |
| Iris | Fixed aperture | | Auto; F1.6(W)~F5.4(T) | | |
| Angle of View (H) | 92.9° | | 58.3° ~ 3.0° | | |
| Angle of View (V) | 49.1° | | 34.8° ~ 1.7° | | |
| Angle of View (O) | 114.3° | | 71.7° ~ 3.6° | | |
| DORI | | | | | |
| DORI Distance | Lens (mm) | Detect (m) | Observe (m) | Recognize (m) | Identify (m) |
| | 4 (Panorama) | 62.1 (203.6 ft) | 24.8 (81.5 ft) | 12.4 (40.7 ft) | 6.2 (20.4 ft) |
| | 10 (Detail) | 222.8 (730.8 ft) | 89.1 (292.3 ft) | 44.6 (146.2 ft) | 22.3 (73.1 ft) |
| | 250 (Detail) | 4882.5 (16018.7 ft) | 1953.0 (6407.5 ft) | 976.5 (3203.7 ft) | 488.3 (1601.9 ft) |
| Illuminator | | | | | |
| IR Range | N/A | | Up to 250m (820.2 ft) | | |
| Warm Light Range | Up to 30m (98.4 ft) | | N/A | | |
| Wavelength | N/A | | 850nm (IR) | | |
| Light On/Off Control | Auto/Manual | | | | |
| Video | | | | | |
| Video Compression | Ultra 265, H.265, H.264, MJPEG | | | | |
| Frame Rate | Main Stream: 8MP (3840*2160),Max 30fps Sub Stream: 1080P (1920*1080), Max 30fps Third Stream: D1 (720*576), Max 30fps | | | | |
| Video Bit Rate | 128 Kbps ~ 16 Mbps | | | | |
| U-code | Support | | | | |
| ROI | Up to 8 areas | | | | |
| Video stream | Triple streams | | | | |
| OSD | Up to 8 OSDs | | | | |
| Privacy Mask | 24 areas, up to 8 areas per scene | | | | |
| Image | | | | | |
| White Balance | Auto/Outdoor/Fine Tune/Sodium Lamp/Locked/Auto2 | | | | |
| Digital noise reduction | 2D/3D DNR | | | | |
| Smart IR | Support | | | | |
| Flip | Normal/Flip Vertical/Flip Horizontal/180°/90°Clockwise/90°Anti-clockwise | | | | |

| | | |
|------------------------|--|-------------------------------|
| EIS | Support | |
| HLC | Support | |
| BLC | Support | |
| Defog | Digital defog | Optical Defog & Digital Defog |
| Events | | |
| Basic Detection | Tampering detection, Motion detection, Audio detection | |
| Auto Tracking | Support | |
| General Function | Watermark, IP Address Filtering, Alarm input, Alarm output, Access Policy, ARP Protection, RTSP Authentication, User Authentication | |
| Audio | | |
| Audio Compression | G.711U, G.711A | |
| Audio Bitrate | 64 Kbps | |
| Two-way Audio | Support | |
| Suppression | Support | |
| Sampling Rate | 8 kHz | |
| Storage | | |
| Edge Storage | Micro SD, up to 256 GB | |
| Network Storage | ANR | |
| Network | | |
| Protocols | IPv4, IGMP, ICMP, ARP, TCP, UDP, DHCP, PPPoE, RTP, RTSP, RTCP, DNS, DDNS, NTP, FTP, UPnP, HTTP, HTTPS, SMTP, 802.1x, SNMP, QoS, RTMP, SSL/TLS | |
| Compatible Integration | ONVIF (Profile S, Profile G, Profile T), API, SDK | |
| User/Host | Up to 32 users. 3 user levels: administrator, operator and common user | |
| Security | Password protection, strong password, HTTPS encryption, Export operation logs, basic and digest authentication for RTSP, digest authentication for HTTP, TLS 1.2, WSSE and digest authentication for ONVIF | |
| Client | EZStation EZLive EZView | |
| Web Browser | Plug-in free live view: Chrome 57.0 and above, Firefox 58.0 and above, Edge 16 and above, Safari 11 and above | |
| | Plug-in required live view: IE 10 and above, Chrome 45 and above, Firefox 52 and above, Edge 79 and above | |
| Pan & Tilt | | |
| Pan Range | 360° | |
| Pan Speed | 0.1°/s ~ 180°/s | |
| | Preset speed: 300°/s | |
| Tilt Range | -15° ~ 90° | |
| Tilt Speed | 0.1°/s ~ 180°/s | |
| | Preset speed: 240°/s | |
| Number of Presets | 1024 | |
| Preset Patrol | 16 patrols, up to 64 presets for each patrol | |
| Route Patrol | 16 patrols, up to 32 actions for each patrol | |
| Recorded Patrol | 16 patrols, up to 128 actions for each patrol | |
| Patrol Stay Time | 15s ~ 1800s | |
| Preset Image Freeze | Support | |
| Home Position | Support | |
| Interface | | |
| Audio I/O | 1/1 | |
| Alarm I/O | 7/2 | |

| | | |
|----------------------|---|-------|
| Serial Port | 1 RS485 | |
| Built-in Mic | N/A | |
| Built-in Speaker | N/A | |
| Wi-Fi | N/A | |
| Network | 1*100M/1000M Base-FX SFP + 1*10M/100M/1000M Base-TX Ethernet | |
| Video Output | N/A | 1 BNC |
| Certification | | |
| EMC | CE-EMC (EN 55032: 2015+A1:2020,EN 61000-3-3: 2013+A1: 2019,EN IEC 61000-3-2: 2019+A1: 2021,EN 55035: 2017+A11:2020) FCC (FCC CFR 47 part15 B, ANSI C63.4-2014) | |
| Safety | CE LVD (EN 62368-1:2014+A11:2017) CB (IEC 62368-1:2014) UL (UL 62368-1, 2nd Ed., Issue Date: 2014-12-01) | |
| Environment | CE-RoHS (2011/65/EU;(EU)2015/863) | |
| Protection | IP66 (IEC 60529:1989+AMD1:1999+AMD2:2013) | |
| General | | |
| Power | DC24V (±25%), AC24V (±25%) | |
| | Power consumption: MAX 63W | |
| Power Interface | Wires with cold-pressed terminal | |
| Dimensions (∅ x H) | ∅270 x 497mm (∅10.6" x 19.6") | |
| Weight | 10.08kg (22.2lb) | |
| Working Environment | -40°C ~ +70°C(-40°F ~ +158°F), Humidity: ≤95% RH (non-condensing) | |
| Storage Environment | -40°C ~ +70°C(-40°F ~ +158°F), Humidity: ≤95% RH (non-condensing) | |
| Surge protection | 6KV | |
| Reset button | Support | |

Dimensions



Accessories

TR-UF45-A-IN

Pendent Mount



TR-SE45-A-IN

Pendent Mount



TR-SE45-IN

Pendent Mount



TR-CE45-IN

Pendent Mount



TR-JB12-IN

Junction Box



TR-WE45-A-IN

Wall Mount



TR-WE45-B-IN

Wall Mount



TR-UP08-A/B-IN

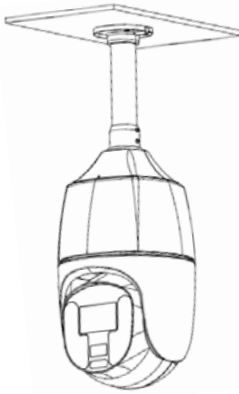
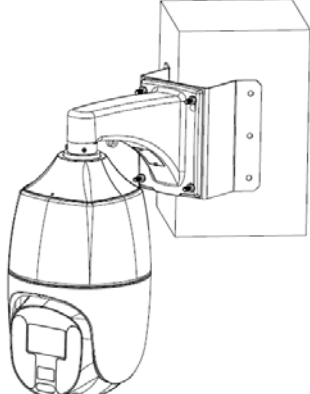

Pole Mount



TR-UC08-A/B-IN

Corner Mount



| Pendent Mount | Wall Mount |
|--|--|
| TR-UF45-A-IN + TR-SE45-A-IN/TR-SE45-IN; TR-CE45-IN; | TR-WE45-A-IN/TR-WE45-B-IN + TR-JB12-IN + TR-UC08-A/B-IN; TR-WE45-B-IN; |
|  |  |
| Pole Mount | / |
| TR-WE45-A-IN + TR-JB12-IN + TR-UP08-A/B-IN | / |
|  | / |

Zhejiang Uniview Technologies Co., Ltd.

Building No.10, Wanlun Science Park, Jiangling Road 88, Binjiang District, Hangzhou, Zhejiang, China (310051)

 Email: overseasbusiness@uniview.com; globalsupport@uniview.com
<http://www.uniview.com>

©2022 Zhejiang Uniview Technologies Co., Ltd. All rights reserved.

*Product specifications and availability are subject to change without notice