

Fixed Dome Junction Box

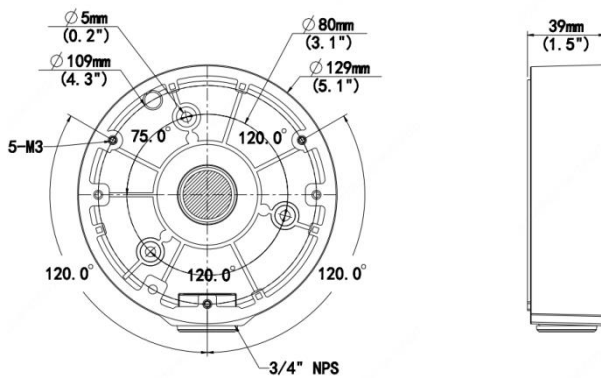
TR-JB03-J-IN



Specifications

Bracket	TR-JB03-J-IN
Application	Junction box for IPC363X Series, IPC36XXS/E Series fixed dome,IPC353X Series
Dimensions	Φ129mm*39mm (5.1" x1.5")
Weight	0.30kg(0.66lb)
Material	Aluminum alloy

Dimension



Zhejiang Uniview Technologies Co.,Ltd.

South Tower, Building 10, Wanlun Science Park, 88 Jiangling Road, Hangzhou, P.R.China 310051

Email: overseasbusiness@uniview.com; globalsupport@uniview.com

<http://www.uniview.com>

©2015 Zhejiang Uniview Technologies Co.,Ltd. All rights reserved.

*Product specifications and availability are subject to change without notice.