

# XVR301-G3 Series



## Key Features

- Support H.265/H.264 video formats
- Support audio over coaxial cable
- Support TVI, AHD, CVI, CVBS, IP cameras with adaptive access
- 4/8-channel BNC input
- Support 1-ch HDMI output, 1-ch VGA output at up to 1920\*1080
- Long transmission distance over coaxial cable
- Support mainstream cameras of ONVIF and RTSP protocols

## Specifications

Model	XVR301-04G3	XVR301-08G3
Video/Audio Input		
Analog Video Input	4-ch, BNC	8-ch, BNC
IP Video Input	2-ch(only IP up to 6ch), each channel up to 4MP	4-ch(only IP up to 8ch), each channel up to 4MP
Supported Analog Camera Types	<b>Support AHD input:</b> 5MP@20fps 4MP@30fps 1080P@30fps 720P@60fps <b>Support TVI input:</b> 5MP@20fps 4MP@30fps 1080P@30fps 720P@60fps <b>Support CVI input:</b> 5MP@20fps	<b>Support AHD input:</b> 5MP@12fps 4MP@15fps 1080P@30fps 720P@30fps <b>Support TVI input:</b> 5MP@12fps 4MP@15fps 1080P@30fps 720P@30fps <b>Support CVI input:</b> 1080P@30fps

	4MP@30fps 1080P@30fps 720P@30fps <b>Support CVBS input</b>	720P@30fps <b>Support CVBS input</b>		
Audio Input	1-ch, RCA			
Audio Compression	G.711U			
<b>Video/Audio Output</b>				
VGA Output	1920x1080p/60Hz, 1920x1080p/50Hz, 1600x1200/60Hz, 1280x1024/60Hz, 1280x720/60Hz, 1024x768/60Hz			
HDMI Output	1920x1080p/60Hz, 1920x1080p/50Hz, 1600x1200/60Hz, 1280x1024/60Hz, 1280x720/60Hz, 1024x768/60Hz			
Audio Output	1-ch, RCA			
Synchronous Playback	HD:2-ch SD:4-ch	HD:4-ch SD:8-ch		
Live view display	HDMI/VGA: 1/4/6/8/9	HDMI/VGA: 1/4/6/8/9/16		
Two-way Audio	1-ch, RCA			
<b>Network</b>				
Incoming Bandwidth	16Mbps (Up to 24Mbps after all analog channel conversion)	32Mbps (Up to 40Mbps after all analog channel conversion)		
Outgoing Bandwidth	48Mbps	64Mbps		
Remote Users	128			
Protocols	TCP/IP, P2P, UPnP, DHCP, HTTP, HTTPS, DNS, DDNS, SMTP			
Browser	IE(IE10/11) for Windows Firefox (version 52.0 and above) for Windows Chrome(version 45 and above) for Windows Edge(version 79 and above) for Windows			
<b>Encoding</b>				
Recording Resolution	5MP Lite/4MP Lite/1080P/720P/CIF	5MP Lite/4MP Lite /1080P/1080P Lite/720P/CIF		
Recording Frame Rate	<b>Main stream:</b> 5MP Lite@12fps	<b>Sub stream:</b> D1@12fps	<b>Main stream:</b> 5MP Lite@6fps	<b>Sub stream:</b> D1@6fps
	4MP Lite@15fps	D1@15fps	4MP Lite@8fps	D1@8fps
	1080P@15fps	D1@15fps	1080P Lite@12fps	D1@12fps
	720P@25fps	D1@25fps	720P@12fps	D1@12fps
Audio Sample Rate	8KHz,16 bit per channel			
Audio Bit Rate	64Kbps per channel			

**Decoding**

Capability	Analog: 2 x 5MP Lite@12, 2 x 4MP Lite@15, 2 x 1080P@15 IP: 1 x 4MP@30, 2 x 1080P@30	Analog: 4 x 5MP Lite@6,4x 4MP Lite@8, 4x 1080P Lite @12fps IP: 1 x 4MP@30, 2 x 1080P@30
------------	--	--

**Hard Disk**

SATA	1 SATA interface
Capacity	Up to 8TB for each HDD (The maximum HDD capacity varies with environment temperature)

**General Alarm**

General Alarm	Motion detection
Alert Alarm	IP Conflict, Network Disconnected, Disk offline, Disk Abnormal, Illegal Access, Hard Disk Space Low, Hard Disk Full, Recording/Snapshot Abnormal

**External Interface**

Network Interface	1 RJ45 10M/100M self-adaptive Ethernet Interface
USB Interface	Rear panel: 2 x USB2.0

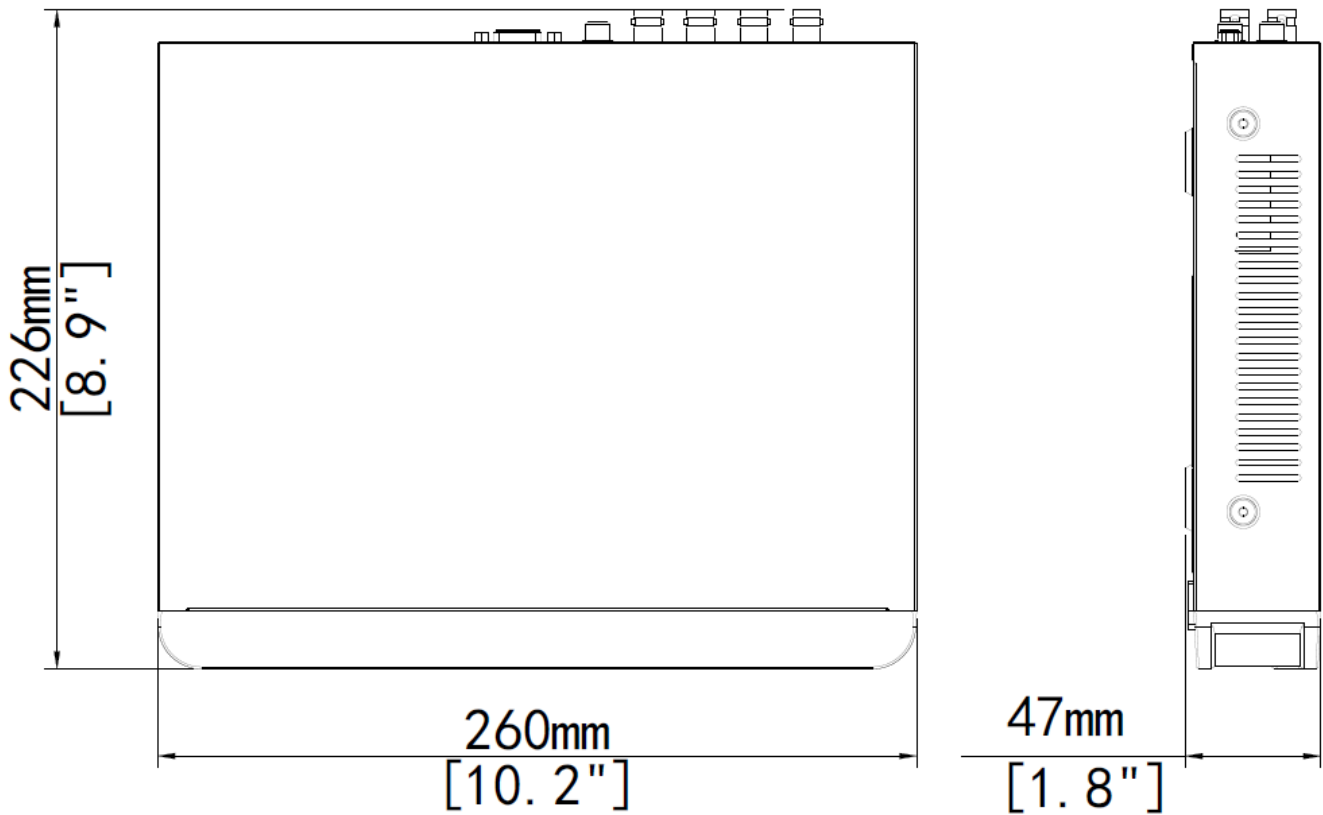
**General**

Power Supply	12V DC Power Consumption: ≤ 8 W( without HDD )
Working Environment	-10°C ~ + 55°C ( +14°F ~ +131°F ), Humidity ≤ 90% RH(non-condensing)
Dimensions(W×D×H)	260mm ×226mm× 47mm (10.2" × 8.9"×1.8")
Weight ( without HDD )	≤1.1 Kg ( 2.42lb )

**Certification**

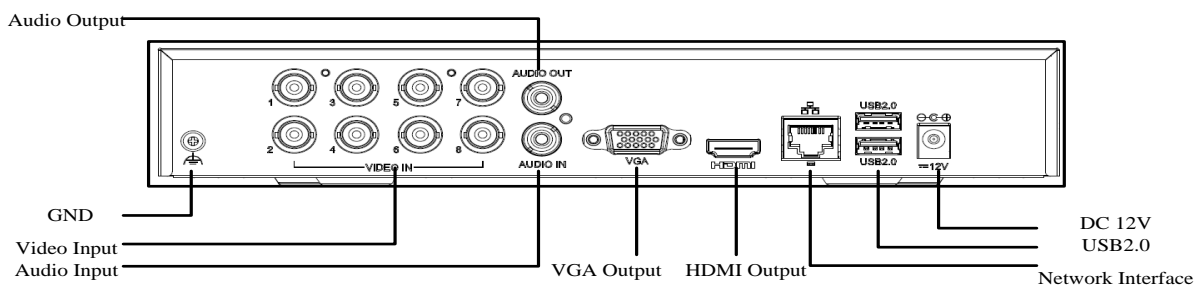
Certification	UL CE FCC RoHS WEEE
---------------	---------------------------------

## Dimensions



## Rear Panel

Take XVR301-08G3 for example



### Zhejiang Uniview Technologies Co., Ltd.

Building No.10, Wanlun Science Park, Jiangling Road 88, Binjiang District, Hangzhou, Zhejiang, China

Email: [overseasbusiness@uniview.com](mailto:overseasbusiness@uniview.com); [globalsupport@uniview.com](mailto:globalsupport@uniview.com)

<http://www.uniview.com>

©2022 Zhejiang Uniview Technologies Co., Ltd. All rights reserved.

\* Product specifications and availability are subject to change without notice.