

iDS-2CD8426G0/F-I

DeepinView Dual-Lens Face Recognition Camera

DeepinView^{series}



- 1/2.8" Progressive Scan CMOS
- 1920 x 1080 @ 30 fps
- Up to 30 ft (10 m) IR Range
- 120 dB WDR
- H.265+/H.265/H.264+/H.264 Compression
- 5 Video Streams
- Face Recognition

The DeepinView Series iDS-2CD8426G0/F-I dual-lens face recognition camera contains a deep learning algorithm and powerful GPU, which enables instant face detection, capture, and comparison against a library of stored faces. This allows for face recognition and alarm triggering.

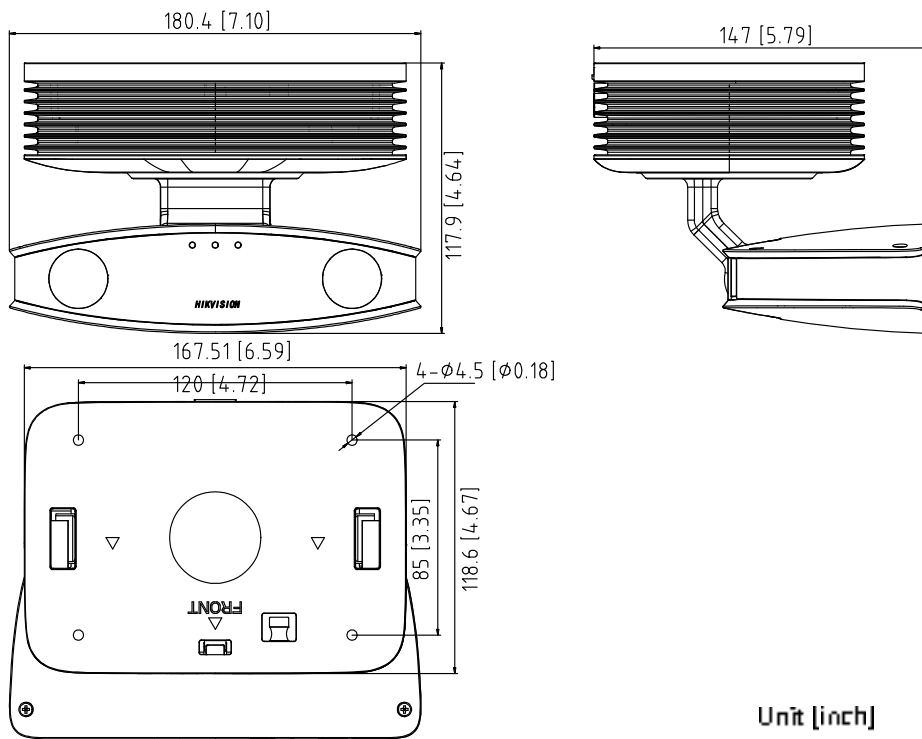
Additionally, the camera supports five video streams and has an IR range of up to 30 ft (10 m).

Available model: iDS-2CD8426G0/F-I (4 mm)

Specifications

iDS-2CD842660/F-I	
Camera	
Image Sensor	1/2.8" progressive scan CMOS x 2
Minimum Illumination	Color: 0.005 lux @ (f/1.2, AGC on), color: 0.0089 lux @ (f/1.6, AGC on), 0 lux with IR on
Shutter Speed	1/25 s to 1/100,000 s
Slow Shutter	No
Auto-Iris	No
Day/Night	IR cut filter
Digital Noise Reduction	3D DNR
WDR	120 dB
Two-Axis Adjustment	Tilt: -45° to 90°, rotate: 0° to 355°
Lens	
Focal Length	Two identical 4 mm lenses
Aperture	f/1.6
FOV	4 mm, horizontal FOV 86°, vertical FOV 46°, diagonal FOV 103°
IR	
IR Range	30 ft (10 m)
Compression	
Video Compression	Main stream: H.265/H.264, sub stream: H.265/H.264/MJPEG, third stream: H.265/H.264, fourth stream: H.265/H.264, fifth stream: H.265/H.264
H.264 Type	Baseline profile/main profile/high profile
H.264+	Support
H.265 Type	Main profile
H.265+	Support
Video Bit Rate	32 Kbps to 16 Mbps
Audio Compression	6.711/6.722.1/6.726/MP2L2/PCM
Audio Bit Rate	64 kbps (6.711)/16 kbps (6.722.1)/16 kbps (6.726)/32 to 192 kbps (MP2L2)
Smart-Feature Set	
Exception	Audio exception detection
Face Recognition	
Face Capture	Capture, automatically select and output optimum face picture
Face Recognition	Instantly compare captured face pictures with those in face picture libraries. Recognized faces trigger alarm if alarm action is configured.
Image	
Maximum Resolution	1920 x 1080
Main Stream	30 fps (1920 x 1080, 1280 x 720)
Sub Stream	30 fps (704 x 480, 640 x 480, 352 x 240)
Third Stream	30 fps (704 x 480, 640 x 480, 352 x 240)
Fourth Stream	30 fps (704 x 480, 640 x 480, 352 x 240)
Fifth Stream	30 fps (704 x 480, 640 x 480, 352 x 240)
Image Enhancement	BLC, HLC, defog, EIS, lens distortion correction, 3D DNR
Image Setting	Saturation, brightness, contrast, sharpness, AGC and white balance adjustable by client software or Web browser
SVC	Supported
Day/Night Switch	Auto/schedule/triggered by alarm in
Picture Overlay	LOGO picture can be overlaid on video with 128 x 128 24bit bmp format
Network	
Network Storage	Supports microSD/SDHC/SDXC card (128 GB) local storage, NAS (NFS,SMB/CIFS), ANR
Alarm Trigger	Motion detection, video tampering alarm, network disconnected, IP address conflict, illegal login, HDD full, HDD error
Protocols	TCP/IP, ICMP, HTTP, HTTPS, FTP, DHCP, DNS, DDNS, RTP, RTSP, RTCP, PPPoE, NTP, UPnP, SMTP, SNMP, IGMP, 802.1x, QoS, IPv6, UDP, Bonjour
General Function	Anti-flicker, five streams, heartbeat, mirror, password protection, privacy mask, watermark, IP address filter
API	ONVIF (PROFILE S, PROFILE G), ISAPI
Simultaneous Live View	Up to 20 channels
User/Host	Up to 32 users. Three levels: administrator, operator, and user
Client	iVMS-4200
Web Browser	IE7+, Chrome 18–42, Firefox 5.0+, Safari 5.02+
Interface	
Audio	1 audio input (line in), 1 audio output (line out), mono soundtrack
Communication Interface	1 RJ-45 10M/100M/1000M self-adaptive Ethernet port, 1 RS-485 interface
Alarm	1 input, 1 output (up to 24 VDC 1 A or 110 VAC 500 mA)
On-Board Storage	Built-in microSD/SDHC/SDXC slot, up to 128 GB
Audio	
Environmental Noise Filtering	Supported
Audio Sampling Rate	Maximum 48 kHz
General	
Operating Conditions	-14° to 104° F (-10° to 40° C), humidity of 95% or less (non-condensing)
Power Supply	36 VDC, two-core terminal block
Power Consumption and Current	36 VDC, maximum 27 W, 0.75A
Protection Level	TVS 4000V lightning protection, surge protection, and voltage transient protection
Shell Material	Metal
Dimensions	7.10" x 5.79" x 4.64" (180.4 mm x 147 mm x 117.9 mm)
Weight	Approximately 3.31 lb (1.50 kg)

Dimensions



Box Contents (Subject to Change without Notice)

36 VDC Power Supply
Camera Bracket
Power Cord
Quick Start Guide
Screws